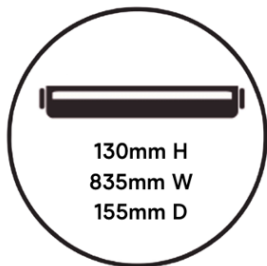


## Retract Away 40/50 Plus

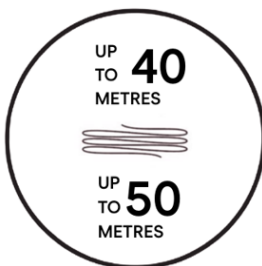
### Online Instructions



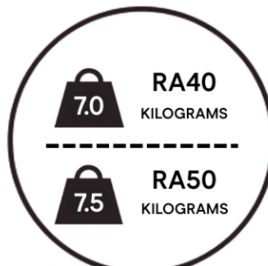
# Colorbond<sup>®</sup>



Cabinet Size



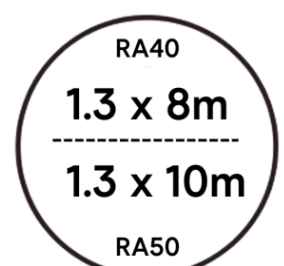
Line Space



Weight



Number of Lines



Area Required

#### INDEX

• PARTS SUPPLIED / TOOLS REQUIRED	Page 2	• POST INSTALLATION	Page 5
• SITE SELECTION	Page 2	• OPERATING YOUR RETRACT AWAY	Page 6
• CABINET INSTALATION	Page 3	• INSTALLATION TIPS	Page 7
• CATCH INSTALLATION	Page 4	• AUSTRAL LOCATION	Page 7
		• MANUFACTURER'S WARRANTY	Page 8

#### IMPORTANT

There is considerable stored energy in the Retract Away at all times. Under no circumstances should you dismantle the unit or allow the Draw Arm to return unassisted to the Retract Away.

## **PARTS SUPPLIED**

- 1 x Pre-Assembled Retract Away Plus Cabinet
- 1 x Accessory Pack containing;
  - 1 x Installation Instructions
  - 1 x Retract Away Plus Catch
  - 2 x M8 Washers
  - 2 x Large M8 Washers

## **TOOLS REQUIRED**

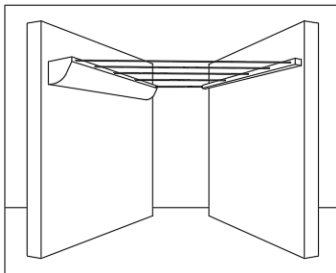
- Spirit level
- Tape measure
- Pencil
- Cordless Drill (with hammer function if drilling masonry)
- Shovel, Pre-mix Cement & Gravel (Post or Ground Socket install)
- 2 x 13mm Spanners / Shifter

## **SITE SELECTION**

- Select an area that is suitable for your installation. You will require an area between 2.0m and 8.0m in length for the Retract Away 40 Plus, or between 2.0m and 10.0m in length for the Retract Away 50 Plus.
- You will need minimum 0.5m clearance from surrounding fences, walls, plants etc.
- Please keep in mind you'll need to be able to access the lock handles on both sides of the Cabinet.

## **MOUNTING OPTIONS**

### **WALL to WALL**



Requires the following additional items:

#### **Products**

N/A

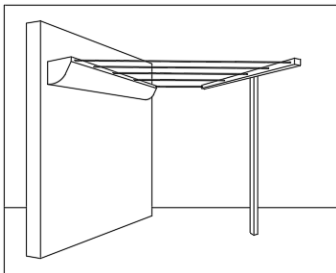
#### **Hard Walls**

M8 x 75mm Coach Screws x 4  
10 x 75mm Wall Plugs x 4

#### **Timber Walls**

M8 x 75mm Coach Screws x 4

### **WALL to POST**



Requires the following additional items:

#### **Products**

Post x 1  
Ground Socket x 1 (Optional)

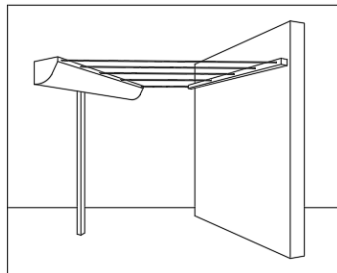
#### **Hard Walls**

M8 x 75mm Coach Screws x 2  
10 x 75mm Wall Plugs x 2

#### **Timber Walls**

M8 x 75mm Coach Screws x 2

### **POST to WALL**



Requires the following additional items:

#### **Products**

Post x 1  
Ground Socket x 1 (Optional)  
Mounting Bar x 1

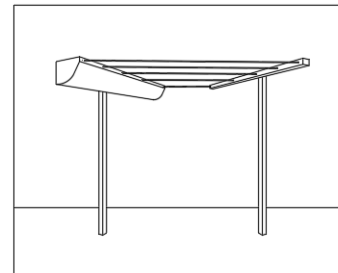
#### **Hard Walls**

M8 x 75mm Coach Screws x 2  
10 x 75mm Wall Plugs x 2

#### **Timber Walls**

M8 x 75mm Coach Screws x 2

### **POST to POST**



Requires the following additional items:

#### **Products**

Post x 2  
Ground Socket x 2 (Optional)  
Mounting Bar x 1

#### **Hard Walls**

N/A

#### **Timber Walls**

N/A

## **CORD HEIGHT**

- The recommended cord height is 50mm above user's head height.
- Please note the lock handles on the Retract Away Plus Cabinet rotate over the top of the unit. If the Cabinet is installed at a higher position, it may become difficult for users to operate the unit comfortably.
- Retracting type clotheslines experience greater cord sag due to their larger spans. Compared to unloaded cords, a 9m span with a 50kg load will sag approximately 400mm and a 6m span approximately 160mm (through the centre).

## **POSTS**

- Posts are available in 2 options: In-ground (into soil) and Plated.
- In-ground Posts are either concreted in place or used in conjunction with a Ground Socket. The Ground Socket is concreted in place but allows the Post to be easily removed and put in storage when not in use.
- Plated Posts are bolted to a hard surface such as concrete, timber decks etc.
- See Post Installation on pages 4 and 5.

## **FIXINGS**

- Fixings for wall installations are not supplied due to the large variation of mounting surfaces.
- Fixings for the bottom of Plated Posts (e.g. concrete or timber fixings) are not supplied due to the large variation of mounting surfaces. See page 5 for suggested quantity and type of fixing required.
- All fasteners for bolting the Catch and Cabinet to the Posts are supplied.
- Please note that it is always good practice to use washers under the head of the fastener to help distribute any load on the Retract Away Plus Cabinet and help prevent breakage and corrosion. The Accessory Pack includes 4 washers: 2 washers for the Catch and 2 large washers for the Cabinet.
- When fixing to alternative surfaces such as weatherboard, fibro, blueboard etc. fix directly to the stud - alternatively support battens should be used.
- Post to Post installations: It is preferable to fit the Retract Away Plus to a fixed Post rather than a removable Post.
- Ground Socket is only required if the Post is to be removable.

## CABINET INSTALLATION

### CABINET INSTALLATION TO WALL

- Using the diagram below mark the holes at 790mm centres.
- Drill holes using a 10mm masonry drill bit. For timber drill pilot holes at 4mm for softwood or 6mm for hardwood.
- Fit Cabinet (item 1) using fixings that suit your application. See Fig 1. (Fixings not supplied).

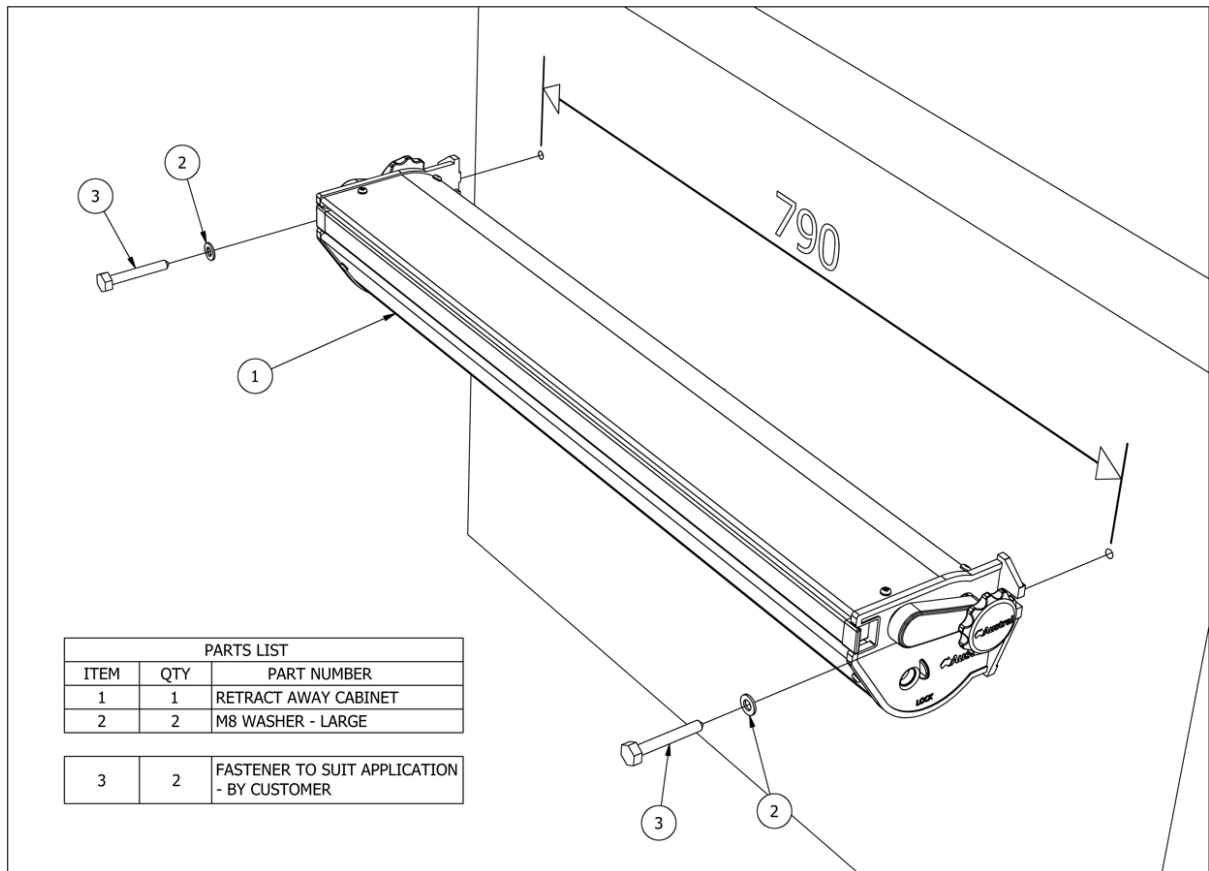


Fig 1. Cabinet installation to wall.

### CABINET INSTALLATION TO POST

- Install Post. (See Post Installation on page 5).
- Fit Cabinet (item 8) as shown in Fig 2. Be sure to fit the Mounting Bar (item 12) prior to fitting the Cabinet.
- All fasteners for this installation method are supplied.

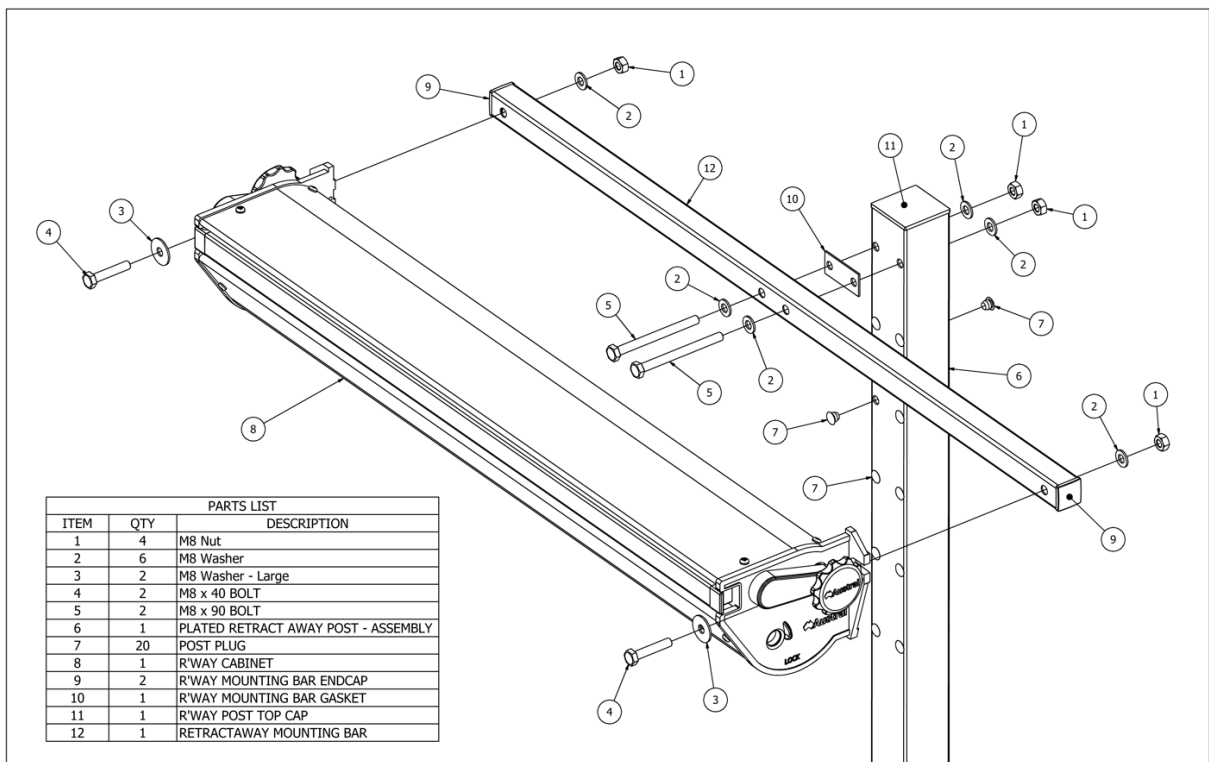


Fig 2. Cabinet installation to Post.

## CATCH INSTALLATION

### CATCH INSTALLATION TO WALL

- As per the diagram below mark the holes at 35mm centres.
- Drill holes using appropriate hardware. (e.g. Hammer drill for masonry)
- Fit Catch (item 1) using fixings that suit your application. See Fig 3. (Fixings not supplied).

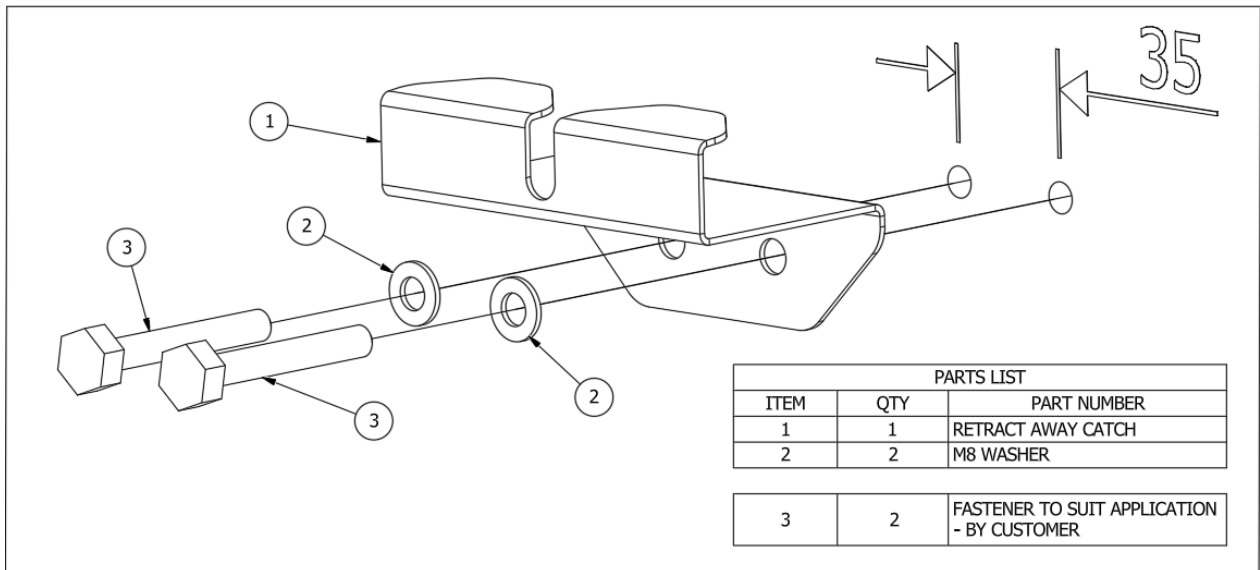


Fig 3. Catch installation to wall.

### CATCH INSTALLATION TO POST

- Install Post. (See Post Installation on page 5).
- Fit the Catch (item 7) as shown in Fig 4.
- All fasteners for this installation method are supplied.

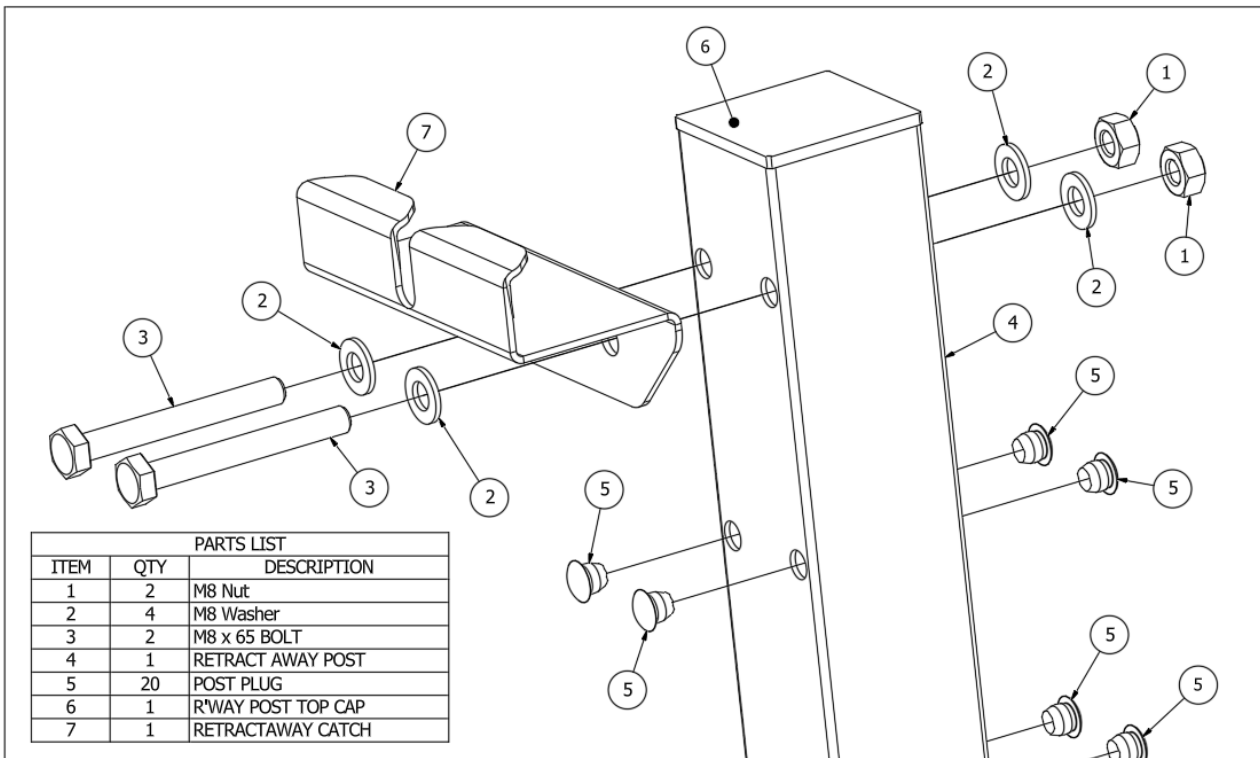


Fig 4. Catch installation to Post.

## POST INSTALLATION

There are 3 main configurations the Retract Away Posts can be installed.

- Installation into a Ground Socket - Post is removable.
- Installation directly into the ground (into soil).
- Bolted directly to a hard surface (i.e. concrete) using a Plated Post.

**A. Post Installation - Ground Socket (Removable):**

- Install the Ground Socket as per the below image (Fig. 5).
- Dig a 200mm diameter hole (minimum). A larger footing is recommended for softer / sandy soils.
- Ensure there is a minimum of 100mm gravel under the Ground Socket and 50mm up the sides for drainage. (150mm).
- Before installing the Ground Socket, fit the supplied pin in the second position from the bottom.
- Install the Ground Socket with the Post inserted and use a spirit level to set plumb.
- Concrete the Ground Socket in place. You can finish the concrete surface 20-30mm below ground level to allow backfilling of soil.
- Allow 24 hours for the concrete to set before installing the Retract Away cabinet at a position indicated in the table below (Fig 5). The cord should be approximately 50mm above the user's head.
- Please contact Austral head office for advice if you require a height not outlined in the table below.

**B. Post Installation - In-ground (into soil):**

- Install the Post at 385mm deep as per the below image (Fig. 6).
- Dig your hole 200mm diameter (minimum). A larger footing is recommended for softer / sandy soils.
- Ensure you have a minimum of 100mm gravel under the Post and 50mm up the sides for drainage. (150mm).
- Concrete the Post in place using a spirit level to ensure Post is plumb. You can finish the concrete surface 20-30mm below ground level to allow backfilling of soil.
- Allow 24 hours for the concrete to set before installing the Retract Away cabinet at a position indicated in the table below (Fig 6). The cord should be approximately 50mm above the user's head.
- Please contact Austral head office for advice if you require a height not outlined in the table below.

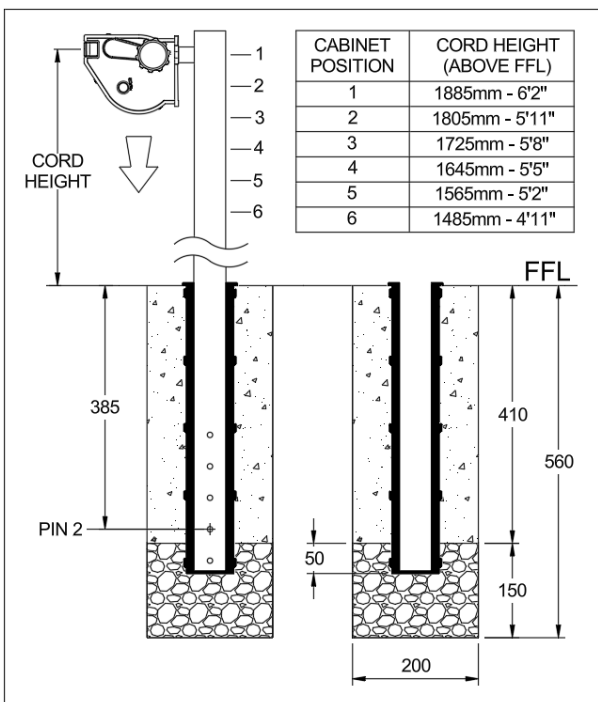


Fig. 5 Ground Socket Install (Removeable Post).

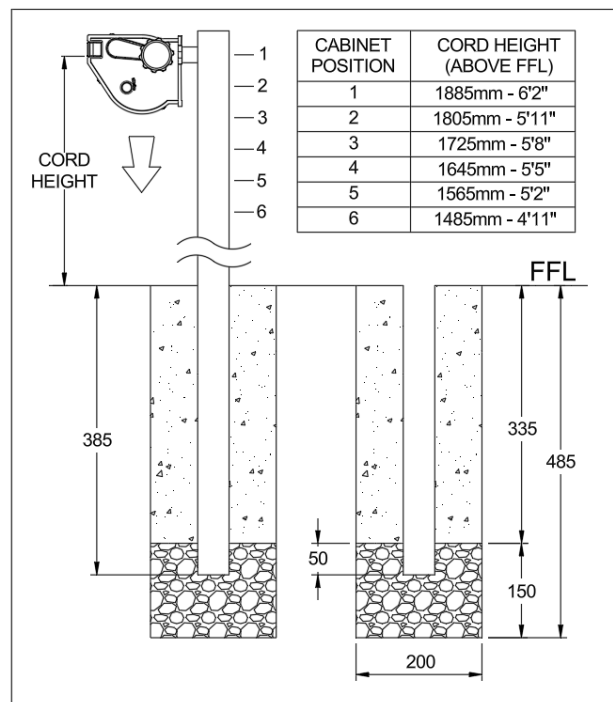


Fig. 6 In-Ground Install (Directly into soil).

**C. Plated Post Installation - To hard surfaces:**

- Install the Post as per the below image (Fig. 7).
- Plumb using a spirit level and if required fit packers to the underside of the base plate.

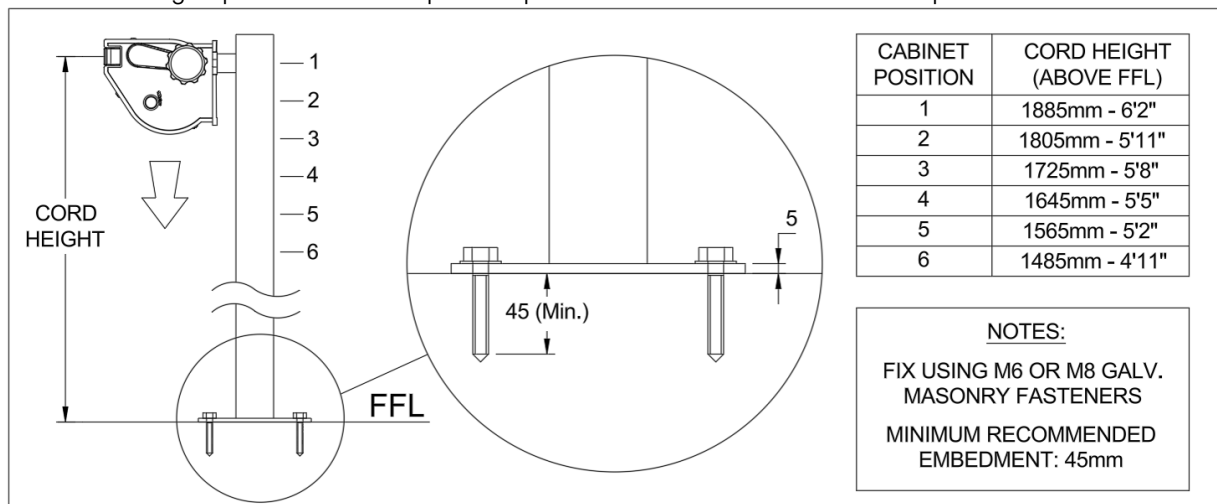


Fig. 7 Installation of Plated Post.

## OPERATING YOUR RETRACT AWAY PLUS

### TO EXTEND:

- Extend the draw arm to the receiving Catch. Secure draw arm in place.
- On the Cabinet pull both lock handles out and rotate forward, (over top of Cabinet) until the lock handles reach the lower stops.
- Push both lock handles into the lower lock receiver holes.
- The Retract Away Plus is now locked and ready to use. (Fig 8).

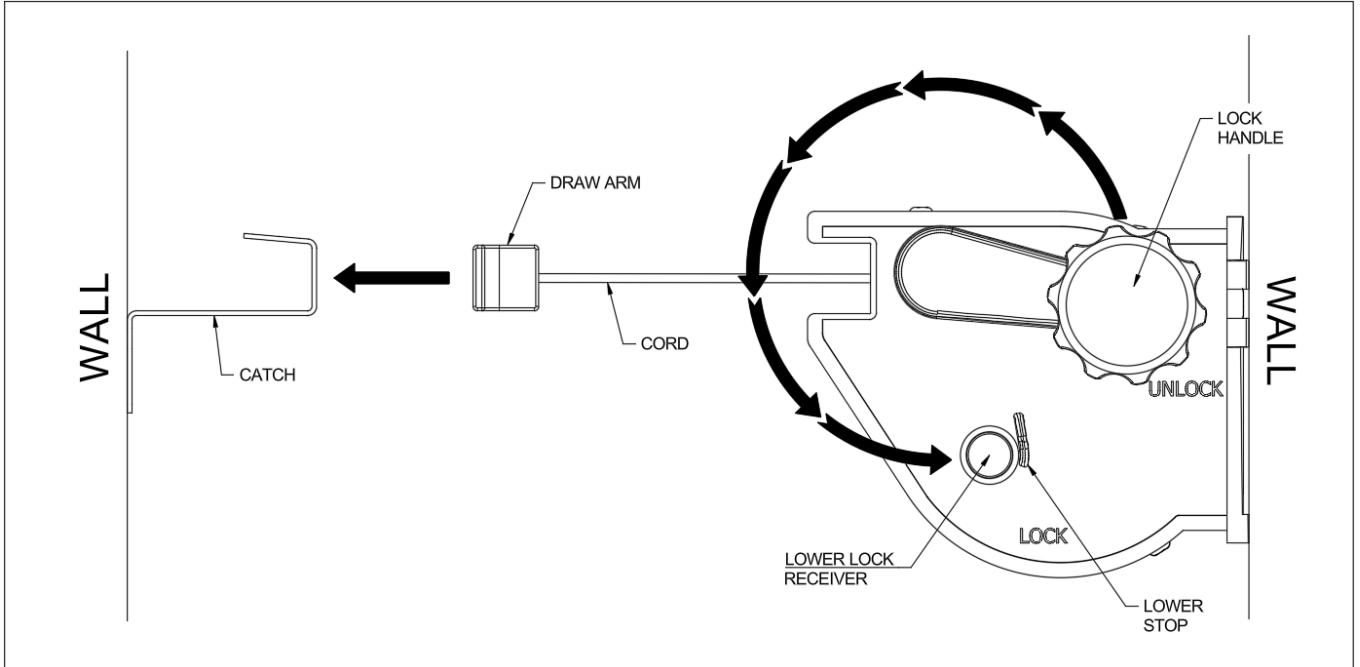


Fig 8. To Extend.

### TO RETRACT:

- Standing at the Cabinet pull both lock handles out and rotate backward (over top of Cabinet) until the lock handles reach the upper stops.
- Push both lock handles into the upper lock receiver holes.
- Remove the draw arm from the receiving Catch and place back into the Cabinet for storage. (Fig 9).

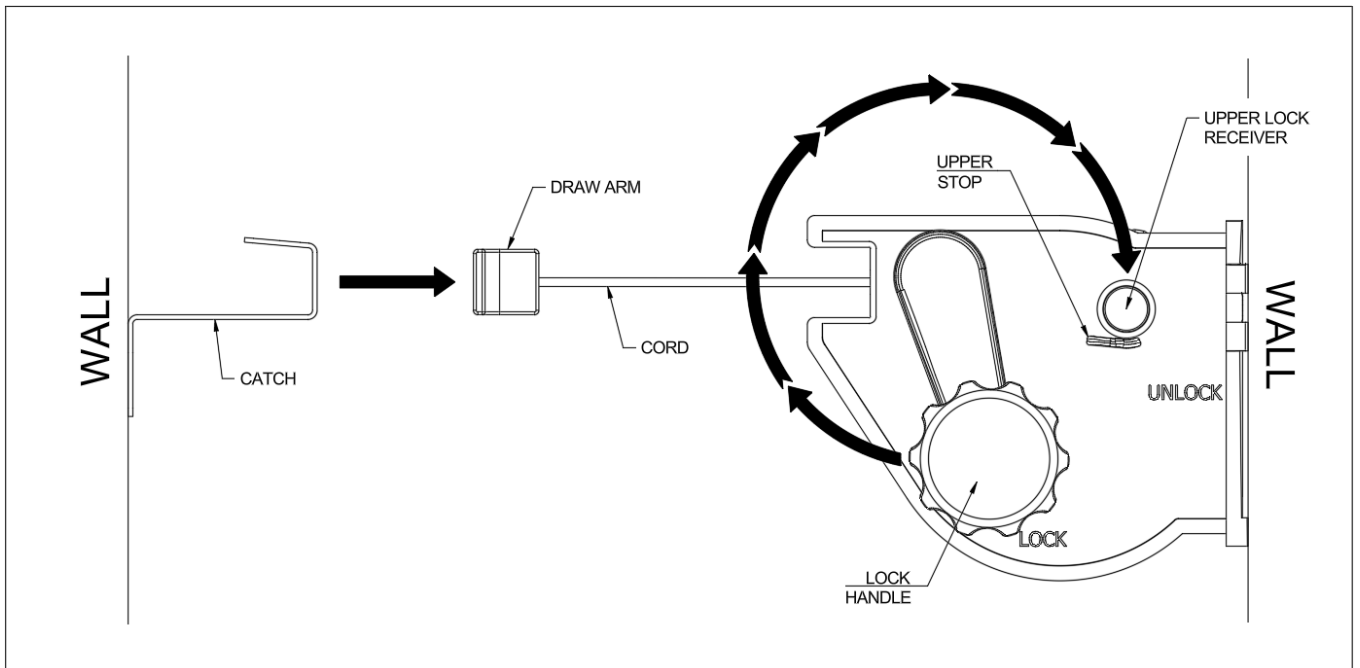


Fig 9. To Retract.

## **INSTALLATION TIPS**

### **LARGER POST FOOTINGS:**

- Where there is concern about the stability of the ground surrounding the concrete footing (sand, loose or shifting soil etc) or the Retract Away Plus covers a long span, over 6m, a larger concrete footing should be considered. To do this increase the hole size to 250-300mm diameter by 500-700mm deep. Y12 Rebar: 12mm reinforcing steel should be used where the footing depth exceeds the Post embedment by more than 150mm.

### **LEAN POSTS BACK:**

- Tension and load causes Posts to flex inwards. To compensate you may wish to lean the Post/s back 2-3 degrees, approximately when the edge of the bubble in the level touches the line. Consider how the Post will look when both loaded and unloaded.

### **HAMMER DRILL:**

- Masonry drill bits often travel when starting a hole. Start slow, with firm pressure and without the hammer function activated to create a small indentation, then increase speed and switch to hammer. After the first hole, recheck marks for remaining holes.

### **ADDITIONAL NOTES:**

- Due to the design and lack of any support structure throughout the length of the clothesline there will be some inherent drop in the lines. With this in mind, it is recommended to fit longer items closer to the ends of the clothesline and shorter items throughout the centre.
- Rain-soaked clothes can be up to 3 times heavier than spun dry washing, which can put extra strain on your clothesline, causing damage. Please remove your washing when rain is expected.
- Clothes, sheets and towels can act like a sail capturing the wind and in turn damaging your clothesline. Please remove washing prior to any expected high winds.
- The Ground Socket (used with the in-ground Post option) includes a Cap that should be inserted into the Ground Socket when the Post is in storage. To prevent damage to the Cap, please remove before mowing.
- Periodically check all fasteners to ensure the safety and longevity of your clothesline.
- Regularly remove the post from the Ground Socket to keep it clear of debris.
- It's best practice to use washers under the head of fasteners when fixing the plated post to the ground.

### **DISSASSEMBLY:**

- Please note disassembly of this product is not recommended under any circumstances and should only be undertaken by trained staff.
- The warranty will not cover any product that has been tampered with.
- For any operational issues please contact Austral directly.

---

## **LOCATIONS**

### **HEAD OFFICE:**

- Austral Clothes Hoists Pty Ltd  
32-34 Hydrive Close, Dandenong South, VIC. 3175  
T: 61 3 9799 8122  
E: admin@australcl.com.au  
W: australclotheslines.com.au

Contact Head Office for Spare Parts, Accessories and Warranty claims.

## **IMPORTANT**

There is considerable stored energy in the Retract Away at all times. Under no circumstances should you dismantle the unit or allow the Draw Arm to return unassisted to the Retract Away.

## **MANUFACTURER'S WARRANTY**

Austral Clothes Hoists Pty Ltd ("Austral") provides the following warranty in relation to its Clothes Lines products ("Product").

Subject to the exclusions below, Austral warrants:

- **For 12 months from date of purchase:** The repair or replacement, in its discretion, of any Product that fails to operate correctly due to faulty workmanship or defective materials. The "materials" includes the plastic components and cord.
- **For 20 years from date of purchase:** The repair or replacement, in its discretion, of any part of the tubular frame that is broken or distorted as a direct result of rust. The "tubular frame" comprises the circular, square or rectangular hollow steel frame on powder coated or galvanised Product.

The benefits of this warranty are in addition to the non-excludable rights and remedies imposed by Australian State and Federal legislation.

### **WARRANTY CLAIMS:**

- To make a warranty claim, please contact your place of purchase or your local Distributor with details of the alleged defect and your original receipt as proof of purchase. Where it is deemed necessary, Austral will arrange for the inspection of your Product.
- You must bear the cost of making the Warranty claim. Austral will bear the cost of repairing or replacing defective Product (including freight or Postage of replacement Product).

### **WARRANTY EXCLUSIONS:**

- Austral's Products are suitable for air drying purposes.

### **THE WARRANTY DOES NOT COVER:**

- Defects caused through abuse or misuse.
- Incorrect adjustments or unauthorised repairs.
- Defects caused by incorrect installation.
- Product damage or deterioration due to abnormal environmental conditions including extreme coastal, storm damage, fire, wind, humidity, pressure, stress and similar.
- Powder coat deterioration caused by exposure to sea air where the Product is installed in coastal areas.
- Defects caused through normal wear and tear.
- Defects caused through the installation or use of a clothesline cover or sunshade.

### **SPARE PARTS:**

- Austral maintains stock of spare parts for a reasonable period of time. Spare parts may not be available for the entire duration of this Warranty.
- Austral reserves the right to repair or replace defective Product with parts and components of similar quality, grade and composition where an identical part or component is not available.
- Goods presented for repair may be replaced by refurbished goods of the same type rather than being repaired.

### **LIMITATIONS:**

- Austral makes no express warranties or representations other than as set out in this warranty. The repair or replacement of the Product or part of the Product is the absolute limit of Austral's liability under this express warranty.

Our goods come with guarantees that cannot be excluded under the Australian Consumer Law. You are entitled to a replacement or refund for a major failure and for compensation for any other reasonably foreseeable loss or damage. You are also entitled to have the goods repaired or replaced if the goods fail to be of acceptable quality and the failure does not amount to a major failure.