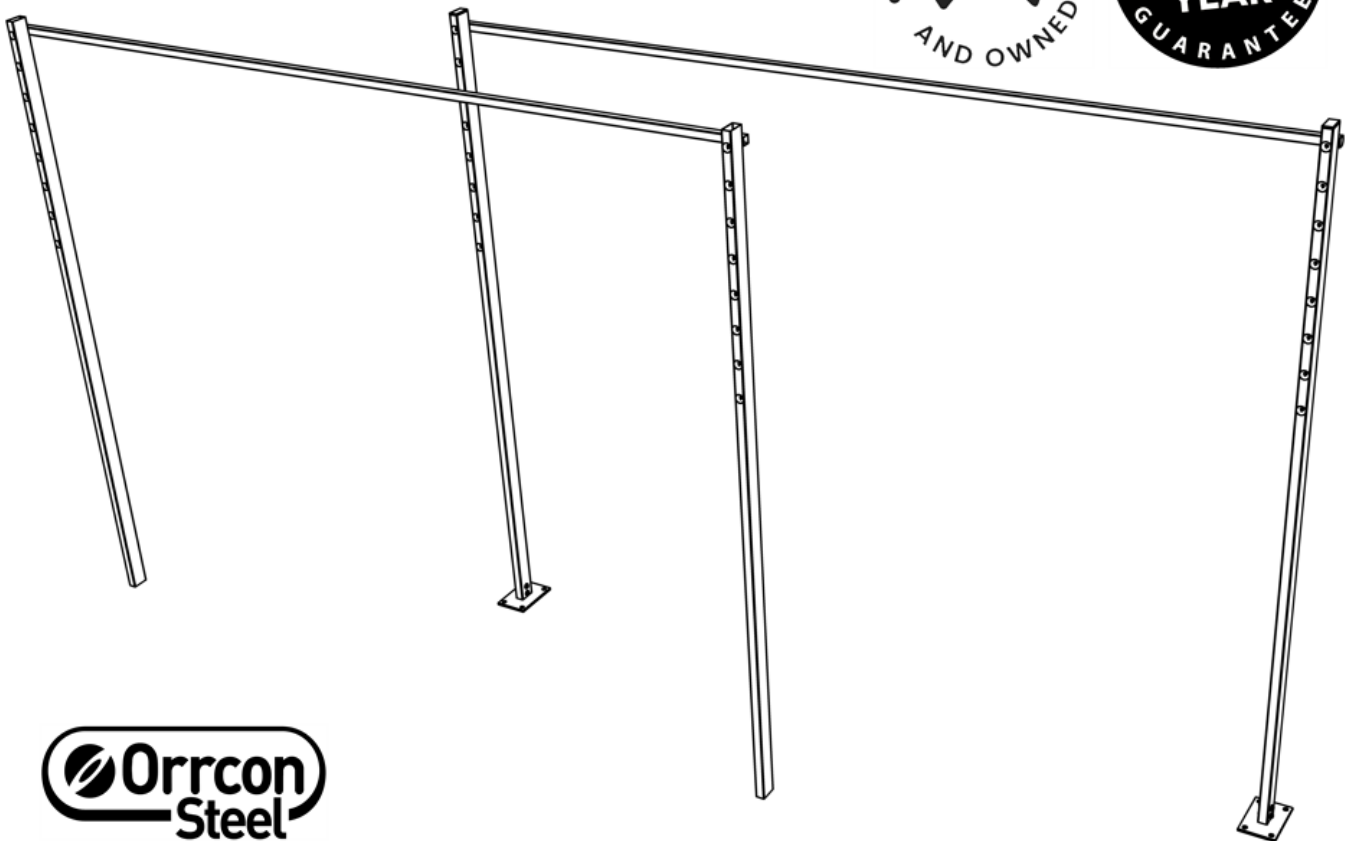
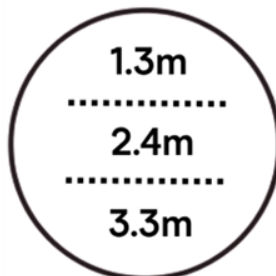


Ground Mount Kit (GMK)

Online Instructions



Posts to Back Bar
Fittings Included



Available Sizes



Weight



Easy Height
Adjustment

INDEX

- | | | | |
|------------------|--------|--------------------------|--------|
| • TOOLS REQUIRED | Page 2 | • REDUCING WIDTH | Page 3 |
| • PARTS SUPPLIED | Page 2 | • INSTALLATION TIPS | Page 6 |
| • SITE SELECTION | Page 2 | • AUSTRAL LOCATION | Page 6 |
| • INSTALLATION | Page 2 | • MANUFACTURERS WARRANTY | Page 7 |

TOOLS REQUIRED

- Spirit level
- Tape measure
- Pencil
- Cordless Drill (with hammer function if drilling masonry)
- Shovel, Pre-mix Cement & Gravel (In-ground GMK post install)
- 2 x 13mm Spanners / Shifter
- Scissors / Knife

PARTS SUPPLIED

1.3m GMK

- GMK Posts x 2 - 1,915mm (Plated) or 2,370mm (Non-plated)
- Spacer Bar x 1 - 1,330mm
- Accessory Pack x 1

2.4m GMK

- GMK Posts x 2 – 1,915mm (Plated) or 2,370mm (Non-plated)
- Spacer Bar x 1 – 2,430mm
- Accessory Pack x 1

3.3m GMK

- GMK Posts x 2 – 1,915mm (Plated) or 2,370mm (Non-plated)
- Spacer Bars x 2 – 1,528mm
- Joiner Bar x 1 – 535mm
- Accessory Pack x 1

ACCESSORY PACK:

- M6 x 90mm Bolts x 2
- M6 x 60mm Bolts x 2
- M6 Nyloc Nuts x 4
- M6 Washers x 8
- Post Endcaps x 2 - (50 x 25mm)
- Rear Bar Endcaps x 2 - (25 x 25mm)
- Christmas Tree Clips x 24

NOTE:

- Due to the variation in fixing surfaces, the accessory pack does NOT contain the fasteners for bolting down the plated posts.

SITE SELECTION

- Select an area that is suitable for your installation.
- Refer to the front page of the clothesline instructions supplied or product label for 'AREA REQUIRED'.
- It is possible to reduce the width of your fold down GMK by cutting down the spacer bar / bars. See 'REDUCING WIDTH' on page 3 and 4.

INSTALLATION

IN-GROUND GMK

1. Dig two holes 200 x 200 x 550mm deep at the centres required. (Fig 1). Refer to the instructions supplied with your fold down clothesline to confirm installation centres.
2. Add 100mm drainage aggregate and set the GMK posts in the holes. (Fig 1).
3. Add an additional 50mm drainage aggregate up the sides of the posts and fill the remainder of the hole with concrete. (Fig 1).
4. Use a spirit level to confirm the posts are plumb.
5. Temporarily fit the rear bar to help hold the posts at the correct centres.
6. Allow 48hrs to for the concrete to set before installing clothesline.
7. Install the clothesline (Fig 6).

NOTES:

- If preferred the concrete may be finished below the ground level to allow backfilling of soil.
- It's best practice to add geotextile fabric over the gravel before filling with concrete. This stops the concrete from filling the gravel which will negatively affect drainage.
- The geotextile fabric will also prevent the gravel pulling moisture from the concrete when setting, which can reduce the concretes strength.

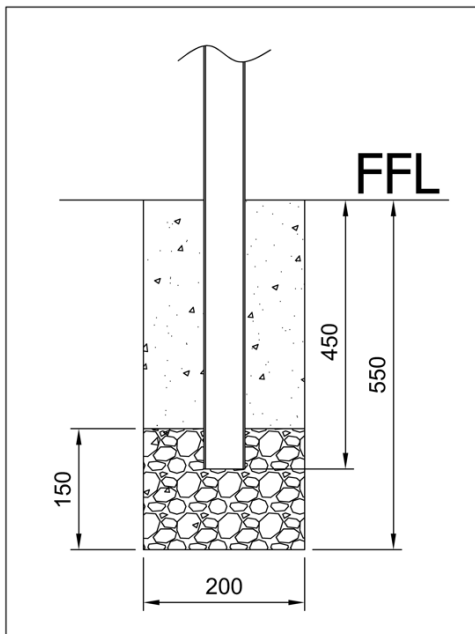


Fig 1. In-ground GMK.

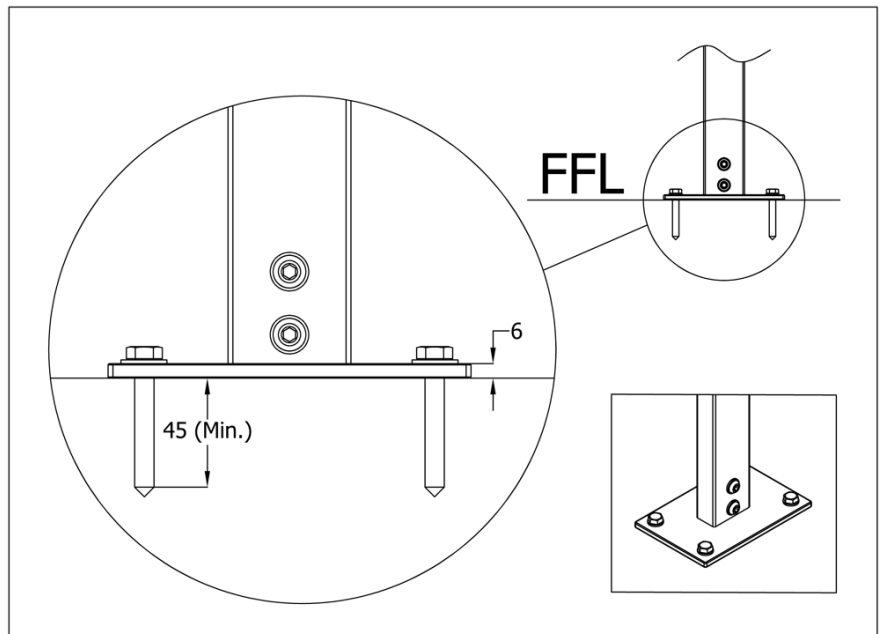


Fig 2. Plated GMK (Surface Mount).

PLATED GMK (SURFACE MOUNT)

1. Fasten the posts to the surface at the centres required. Refer to the instructions supplied with your fold down clothesline to confirm installation centres.
2. If installing to a deck or similar be sure to fasten to the underlying bearers so it's structurally sound.
3. Fasteners are **NOT** supplied for plated GMKs due to the large variation of mounting surfaces.
4. Austral recommends using M6 (minimum) or M8 fasteners. Recommended minimum embedment of fasteners is 45mm. (Fig 2).
5. Use a spirit level to confirm the posts are plumb, add packers to the underside of the plate if required. Plastic packers / shims are readily available from your hardware store.
6. Always use a washer between the underside of the bolt head and upper face of the plate. This will help prevent damage to the powder coat, greatly reducing the risk of corrosion. It will also help distribute the load across a wider area of the plate making it more secure.
7. Clothesline can be installed immediately. (Fig 6).

NOTE:

- If installing to concrete please refer to the technical information for the fasteners being used. Typically, a concrete screw / anchor must be installed (at minimum) 10 times the diameter of the fastener from the edge. A fastener fitted too close to an edge may cause the concrete to crack / break out. (E.g. Minimum edge distance for M8: (8mm x 10 times = 80mm).

REDUCING WIDTH

It is possible to reduce the width of your GMK, see below.

1.3m & 2.4m GMK.

For this example, let's use a 2,400mm GMK reduced to 2,000mm.

1. Deduct the new mounting centres from the original mounting centres. (2,400 – 2,000mm = 400mm).
2. Using a hacksaw or angle grinder remove 400mm from the rear bar. (Fig 3).
3. Drill a new Ø7.0mm mounting hole 15mm in from the end. (Fig 3 – Detail A).
4. Paint the raw edge and hole with touch up paint to prevent corrosion.
5. Calculate the required height, 50mm above users head height is recommended. (Fig 5).
6. Complete installation (Fig 6).

NOTE:

- Reduce the width on the clothesline by cutting down by the spacer bar / bars by the same amount to suit.

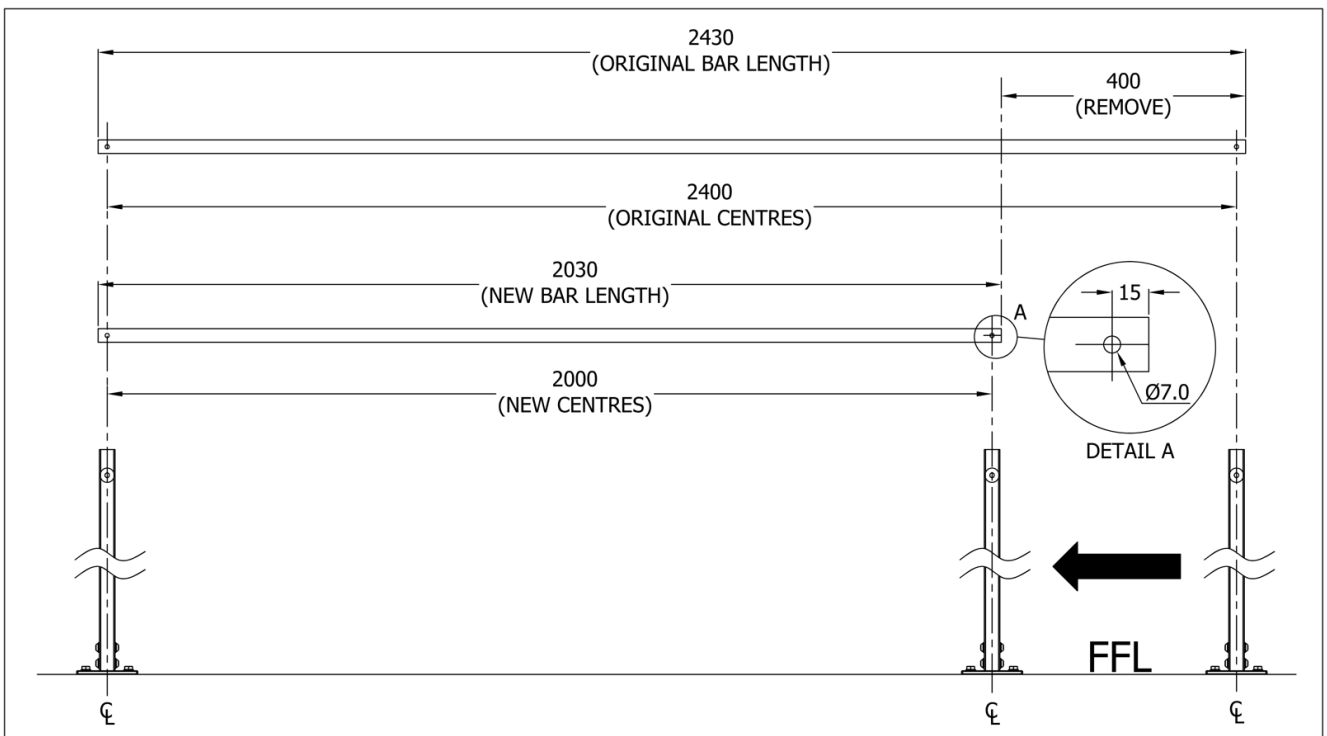


Fig 3. Reducing the width of your 1.3m or 2.4m GMK.

3.3m GMK.

For this example, let's reduce the width from 3,300mm to 2,800mm.

1. Deduct the new mounting centres from the original mounting centres. ($3,300 - 2,800\text{mm} = 500\text{mm}$).
2. Using a hacksaw or angle grinder remove 250mm from each of the two rear spacer bars. ($500 \div 2 = 250\text{mm}$). (Fig 4).
3. Painting the raw edges is optional as they are set inside the joiner bar and protected from the elements.
4. Calculate required height. 50mm above users head height is recommended. (Fig 5).
5. Complete installation. (Fig 6).

NOTE:

- Reduce the width on the clothesline by cutting down by the spacer bar / bars by the same amount to suit.

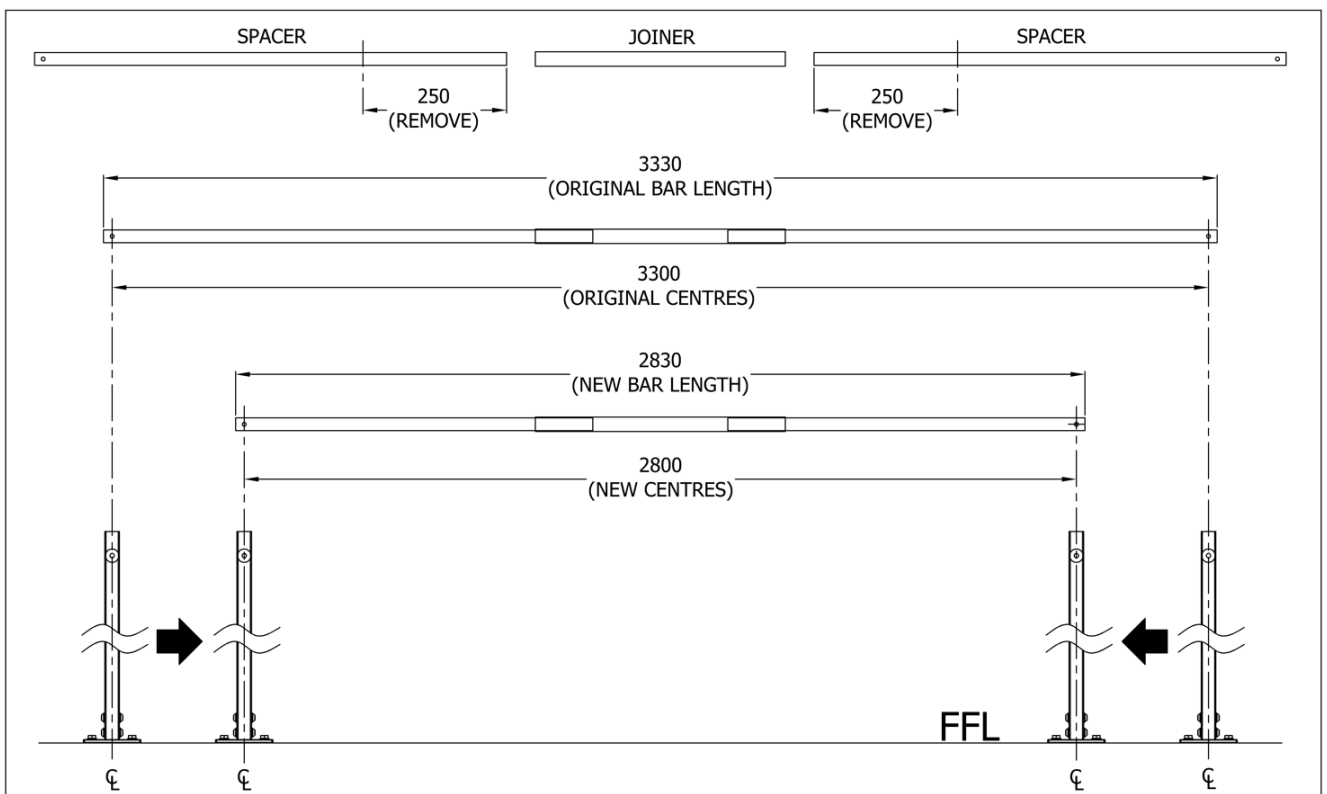


Fig 4. Reducing the width of your 3.3m GMK.

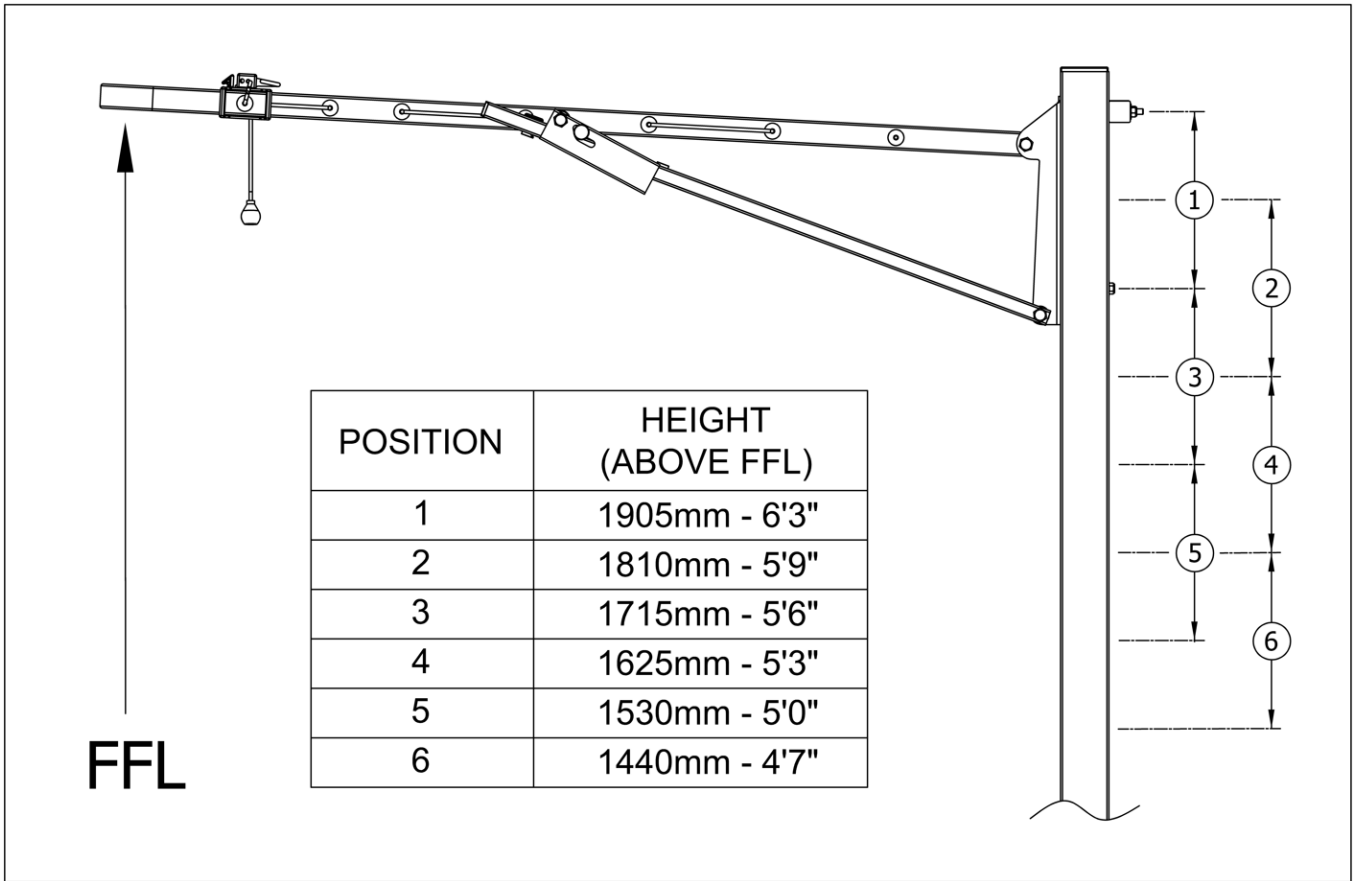


Fig 5. Installation Heights.

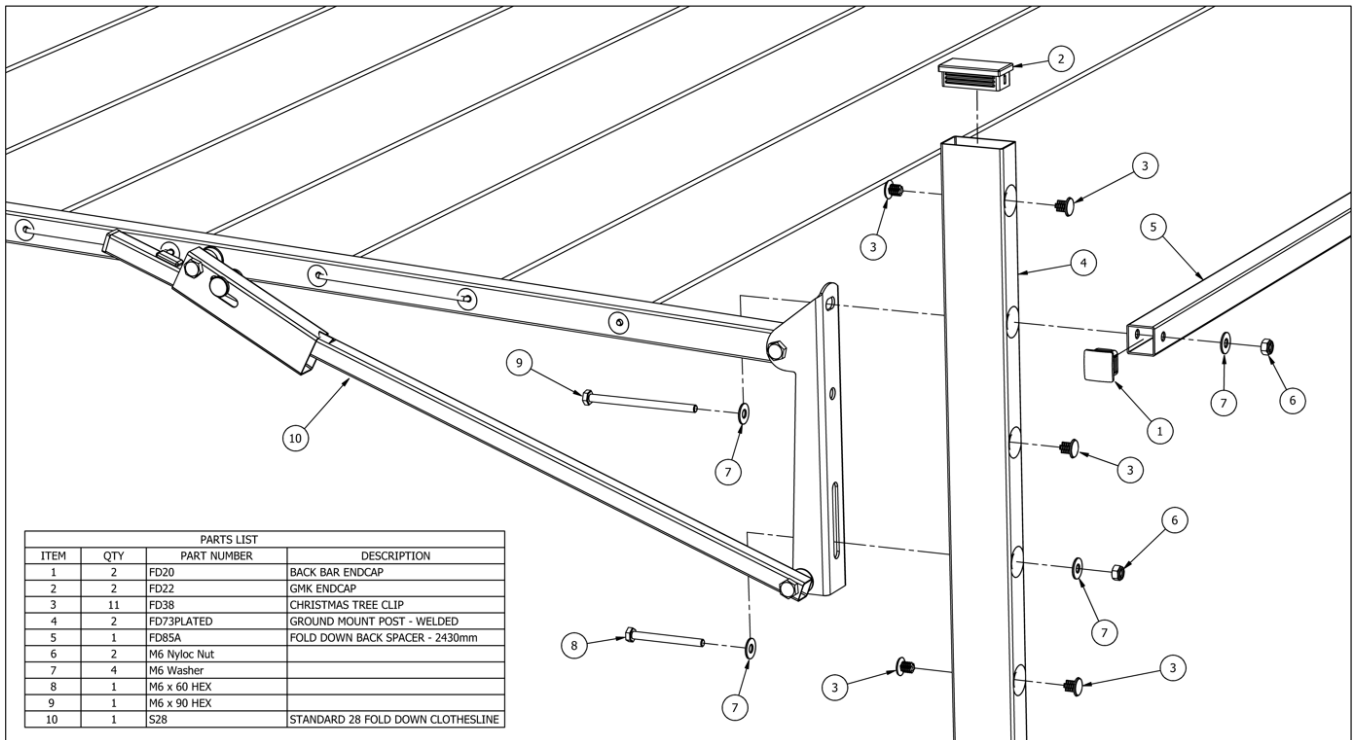


Fig 6. Installation to GMK, (Standard 28 shown).

INSTALLATION TIPS

LARGER POST FOOTINGS:

- Where there is concern about the stability of the ground surrounding the concrete footing (sand, loose or shifting soil etc) a larger concrete footing should be considered. To do this increase the hole size to 250-300mm diameter.

HAMMER DRILL:

- Hammer drill bits often travel when starting a hole. Start slow, with firm pressure and without the hammer to create a small indentation, then increase speed and switch to hammer. After the first hole, recheck marks for remaining holes.

ADDITIONAL NOTES:

- Rain-soaked clothes can be up to 3 times heavier than spun dry washing, which can put extra strain on your clothesline and GMK, causing damage. Please remove your washing when rain is expected.
- Clothes, sheets and towels can act like a sail capturing the wind and in turn damaging your clothesline. Please remove washing prior to any expected high winds.
- Periodically check all fasteners to ensure the safety and longevity of your clothesline.

DISSASSEMBLY:

- The warranty will not cover any product that has been tampered with.
 - For any operational issues please contact Austral head office.
-

LOCATION

HEAD OFFICE:

- Austral Clothes Hoists Pty Ltd
32-34 Hydrive Close, Dandenong South, VIC. 3175
T: 61 3 9799 8122
E: admin@australcl.com.au
W: australclotheslines.com.au

Contact Head Office for Spare Parts, Accessories and Warranty claims.

MANUFACTURER'S WARRANTY

Austral Clothes Hoists Pty Ltd ("Austral") provides the following warranty in relation to its Clotheslines products ("Product").

Subject to the exclusions below, Austral warrants:

- *For 12 months from date of purchase:* The repair or replacement, in its discretion, of any Product that fails to operate correctly due to faulty workmanship or defective materials. The "materials" includes the plastic components and cord.
- *For 20 years from date of purchase:* The repair or replacement, in its discretion, of any part of the tubular frame that is broken or distorted as a direct result of rust. The "tubular frame" comprises the circular, square or rectangular hollow steel frame on powder coated or galvanised Product.

The benefits of this warranty are in addition to the non-excludable rights and remedies imposed by Australian State and Federal legislation.

WARRANTY CLAIMS:

- To make a warranty claim, please contact your place of purchase or your local Distributor with details of the alleged defect and your original receipt as proof of purchase. Where it is deemed necessary, Austral will arrange for the inspection of your Product.
- You must bear the cost of making the Warranty claim. Austral will bear the cost of repairing or replacing defective Product (including freight or Postage of replacement Product).

WARRANTY EXCLUSIONS:

- Austral's Products are suitable for air drying purposes.

THE WARRANTY DOES NOT COVER:

- Defects caused through abuse or misuse.
- Incorrect adjustments or unauthorised repairs.
- Defects caused by incorrect installation.
- Product damage or deterioration due to abnormal environmental conditions including extreme coastal, storm damage, fire, wind, humidity, pressure, stress and similar.
- Powder coat deterioration caused by exposure to sea air where the Product is installed in coastal areas.
- Defects caused through normal wear and tear.
- Defects caused through the installation or use of a clothesline cover or sunshade.

SPARE PARTS:

- Austral maintains stock of spare parts for a reasonable period of time. Spare parts may not be available for the entire duration of this Warranty.
- Austral reserves the right to repair or replace defective Product with parts and components of similar quality, grade and composition where an identical part or component is not available.
- Goods presented for repair may be replaced by refurbished goods of the same type rather than being repaired.

LIMITATIONS:

- Austral makes no express warranties or representations other than as set out in this warranty. The repair or replacement of the Product or part of the Product is the absolute limit of Austral's liability under this express warranty.

Our goods come with guarantees that cannot be excluded under the Australian Consumer Law. You are entitled to a replacement or refund for a major failure and for compensation for any other reasonably foreseeable loss or damage. You are also entitled to have the goods repaired or replaced if the goods fail to be of acceptable quality and the failure does not amount to a major failure.