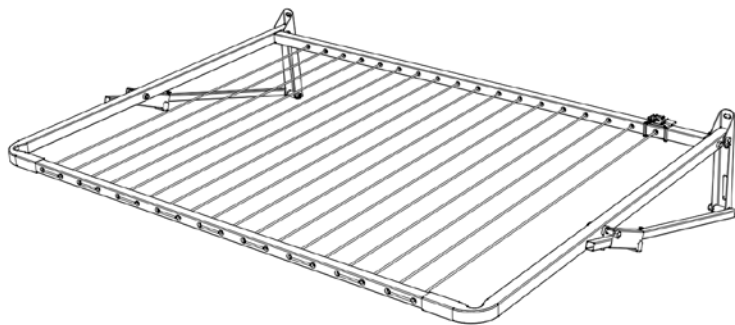


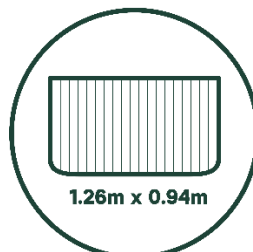
Fold Down - Balcony Line Instructions for Wall/Balustrade Mount



Number of Lines



Line Space



Dimensions



Area Required



Weight

Parts supplied:

- 1 x Pre-Assembled Left Arm (935mm deep)
- 1 x Pre-Assembled Right Arm (935mm deep)
- 1 x Front Spacer Bar (1091mm x 22.2mm x 22.2mm)
- 1 x Rear Spacer Bar (1170mm x 25.4mm x 25.4mm)
- Cord

Accessory Pack:

- 4 x 14 G (1/4") x50mm Countersunk self-tappers
- 2 x 5/16" x 2" Hex set screws
- 4 x wall plugs
- 2 x 16mm plastic end Caps for Side Braces
- 2 x 25mm plastic end Caps for Side Arm ends
- 1 x Cord Knob
- 1 x Plastic Cap (10mm hole cover)

Tools required:

- 8mm drill bit
- Hammer / variable speed drill
- 13mm spanner and socket set / shifter
- #3 Phillips drive
- Cordless drill (not essential but desirable)
- Stanley knife / scissors
- Tape measure
- Spirit level
- Hammer

Refer to Fig. 7 / Pg.4 for Parts List.

Mark the drill holes at 1200mm centres as indicated below ensuring the top holes are level.

Please refer to Notes for Fig.1 for Building Code Regulations when fitting to a Balcony/Balustrade.

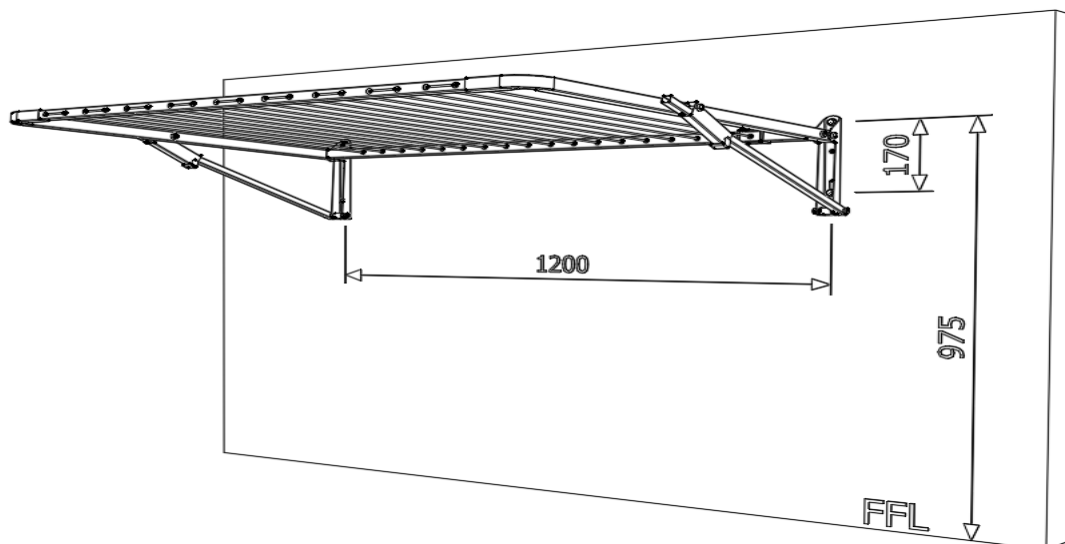
Ensure fixing surface is structurally sound. Due to the diversity of construction materials available, please consult your local Hardware Store or Builder for fixing advice if required.

Balcony Installation :

Mounting holes MUST be drilled at 975mm above finished floor level. Drill the lower mounting holes directly below the top holes at 170mm ± 25mm to allow for site variation. Refer Fig.1 below.

NOTE: THE FIXING DIMENSIONS COMPLY IN AUSTRALIA (BCA) AND IN NEW ZEALAND TO BUILDING REGULATIONS 1992 (ACCEPTABLE SOLUTION F4/AS1) WHERE THE CLOTHESLINE MUST HAVE A NON-CLIMBABLE ELEMENT BETWEEN 150mm AND 760mm.

Fig.1 Balcony Installation



Wall Installation (standard wall installation only – see above for Balcony fixing)

Drill top mounting holes approximately 50mm above user's head height (if known). If height is unknown, drill the mounting holes between 1850-1900mm above finished floor level. Drill lower mounting holes directly below the top holes at 170mm ± 25mm to allow for site variation.

If fitting to a masonry wall, drill holes using an 8mm drill bit and a hammer drill or variable speed drill. Insert wall plugs flush with surface.

ASSEMBLY:

Attach the Left and Right Side Arms (Items 2 and 3 / Fig.7) to balcony wall using 14 Gauge x 50mm Phillips head screws (supplied). Loosely fit all 4 fixings for ease of front bar installation.

Note: the two 90° returns face towards each other (to form a 'U' shape).

Ensure all bolts are secure but not over tight. Bolts on the sliding (diagonal) braces should be loose enough to allow rotation by marginal finger movement. The Catches must move freely to allow the braces to raise and lower the clothesline.

Insert the front bar (Item 8 - Fig.7) into each of the 90° side Arm assemblies (Items 2 and 3).

Use 5/16" x 2" Hex bolts to fit 25.4mm rear bar (Item 7) to the inside rear of frame using a 13mm socket or spanner. Ensure Tension Lock is positioned over the far-right rear cord hole (Fig.3) with the lever facing upwards and the 10mm hole is positioned to the rear left side.

Fig. 2

TO CORD CLOTHESLINE:

With frame in the raised position, commence cording from the left rear hole (Fig. 2). Thread cord from the rear of the frame, pulling cord through the corresponding hole on the front spacer bar. Pull all the cord through to the outside of the frame. Insert cord into the next hole along (on outside of front bar) and repeat until you reach the Tension Lock at rear of frame (Item 9). Tie a knot in the end of the cord at starting point (10mm hole). The knot will be housed inside the steel tube. Cover with Plastic Cap (Item 5).

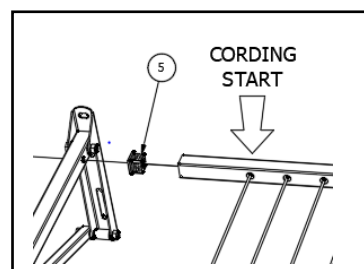
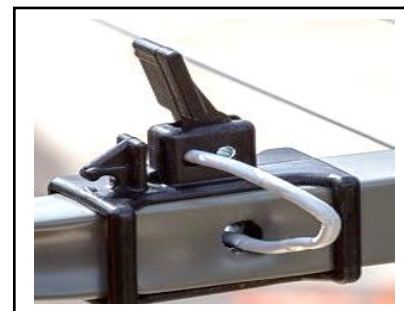


Fig. 3

Raise the Lever on the Tension Lock and pull the end of the Cord through the hole directly below the Lever (Fig.3). Pull all the Cord through, then lock the Lever down to secure the Cord.

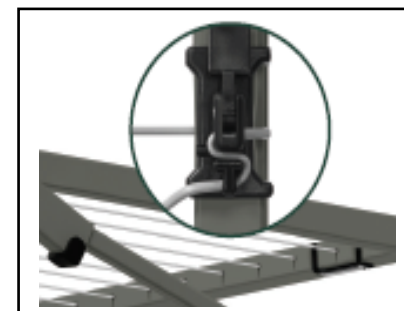


Starting with the first cord, gently pull up at the centre of each cord, working left to right, tensioning (taking up the slack from the previous cord) on each line until you reach the last cord.

Raise the Tension Lock lever (Fig.3) and pull excess cord through Tension Lock. Secure Lever

Fig. 4

Wrap the cord in and around the Tension Lock (Fig.4) to secure the Cord. Leave approximately 12-15cm of excess cord hanging past the Tension Lock and cut off excess. Slide the Cord Knob onto the end of the cord. Knot the end of the Cord and pull Cord Knob down over the knot.



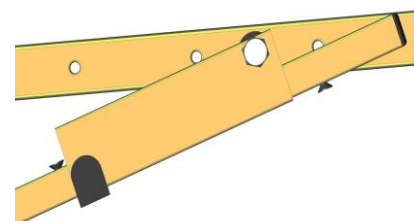
Fit plastic End Caps to ends of steel tube.

TO TENSION LINES LATER: Use the Cord Knob to pull cord away from Tension Lock. Raise the lever. Tension cords as above taking up any slack line. Pull excess cord through hole under Tension Lever. Secure Tension Lever and wrap cord in and around to secure (Fig. 4).

TO LOWER THE CLOTHESLINE FRAME

1. Place hand on the centre of the front Joiner Bar.
2. Push the Front Bar up firmly until you hear the frame 'click' on each side. The black clips on the lower part of the Catch will rise and hug the tubular Brace (Fig.5). This will allow the Catch to slide over the screws and then drop down to disengage the frame.
3. Gently lower the frame.

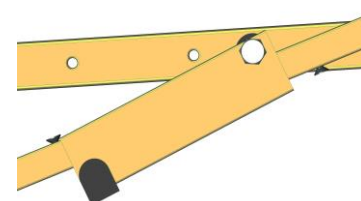
Fig. 5



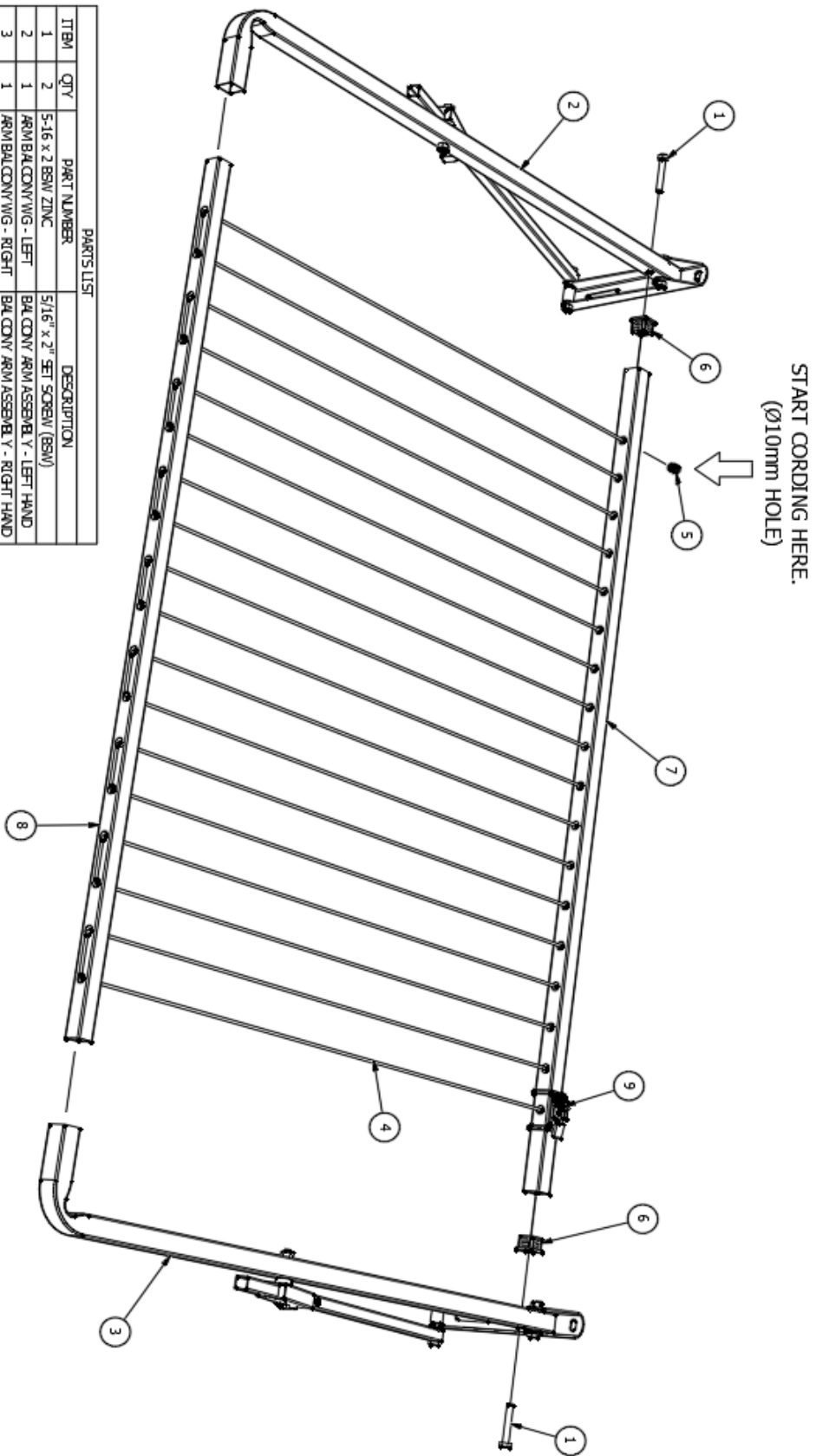
TO RAISE THE CLOTHESLINE FRAME

1. Place hand on the centre of the front Joiner Bar.
2. Lift the Front Bar and allow the Catches to slide past the top screws by approximately 1cm (1/2"). Gently lower the Front Bar. The Catches will slide and stop against the screw heads (Fig.6).
Note: If the frame is raised too far, the clothesline will not lock into position. If this occurs, lower the frame and raise again.
3. Lower the frame slowly and allow the Catches to lock into position.

Fig. 6



PARTS LIST			
ITEM	QTY	PART NUMBER	DESCRIPTION
1	2	5-1/8" x 2 BSW ZINC	5/16" x 2" SET SCREW (BSW)
2	1	ARM BALCONY WIG - LEFT	BALCONY ARM ASSEMBLY - LEFT HAND
3	1	ARM BALCONY WIG - RIGHT	BALCONY ARM ASSEMBLY - RIGHT HAND
4	1	BALCONY - CORD	CORD-11/6(SLAWG)
5	1	FD01	P76912B (T & G INDUSTRRIES)
6	2	FD77	THREADED INSERT - 5/16" BSW
7	1	FD79BVG	REAR SPACER - BALCONY LINE
8	1	FD80BVG	FRONT SPACER - BALCONY LINE
9	1	FDLT	POD DOWN LINE TENSION LOCK



NOTE:
 THE BALCONY LINE HAS BEEN CORDED SPECIFICALLY FRONT TO BACK TO COMPLY WITH AUST / NZ RECOMMENDATIONS TO ENSURE A NON-CLIMBABLE ELEMENT BETWEEN 150 AND 760mm.